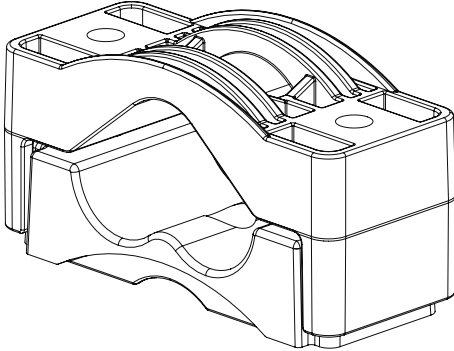


THREE SYNTHETIC CLAMP TRIPLE

EN-IEC 61914:2009
REV.20/04/2016



THREE SYNTHETIC CLAMP TRIPLE



Models: 27-38; 38-51; 51-69; 69-90; 90-118; 118-150.

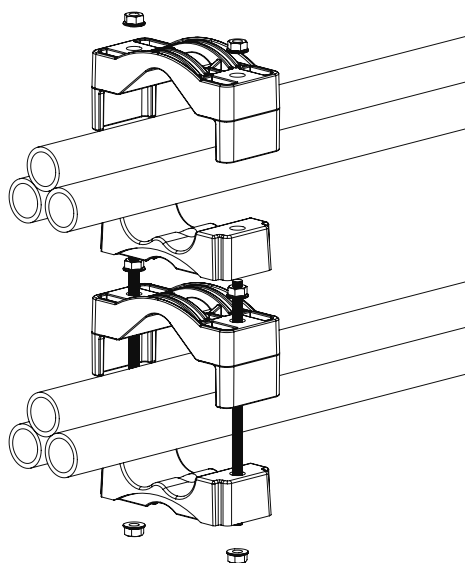
Material: PAFV (black colour)

Characteristics of the product:

- Halogen free with low smoke emission.
- Resistance to corrosion and aging:
 - Resistant to oils, UV, ozone, salts, moisture, humidity, acids and even nuclear radiation.
- Fire behaviour:
 - Self Extinguishing V0 acc. to UL94
- Minimum Temperature: -40 °C.
- Maximum Temperature: 120 °C (up to 225 °C momentarily)

MODEL	RESITANCE (kN)	HOLE FOR HARDWARE (mm)	STACKABLE
Triple clamp 27-38	35.9	15	Yes
Triple clamp 38-51	39.8	15	Yes
Triple clamp 51-69	69.9	15	Yes
Triple clamp 69-90	56.7	15	Yes
Triple clamp 90-118	54.3	15	Yes
Triple clamp 118-150	54.3	15	Yes

ASSEMBLY INSTRUCTIONS



- Triple clamps allow the fixation of every type of wires or conduits (in groups of 3) of the range of diameters defined in the description of each product.
- The pieces have an internal hole to allow placing an intermediate nut if necessary.
- All models are vertically stackable and can be fixed with simply a threaded rod, allowing an easy installation system for different lines and an economic solution for ampliatioms.

